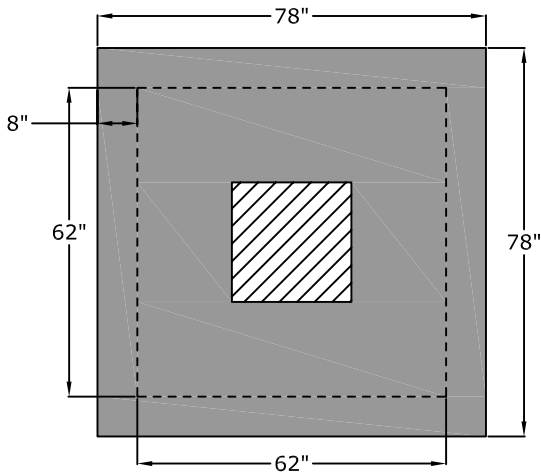


Top View



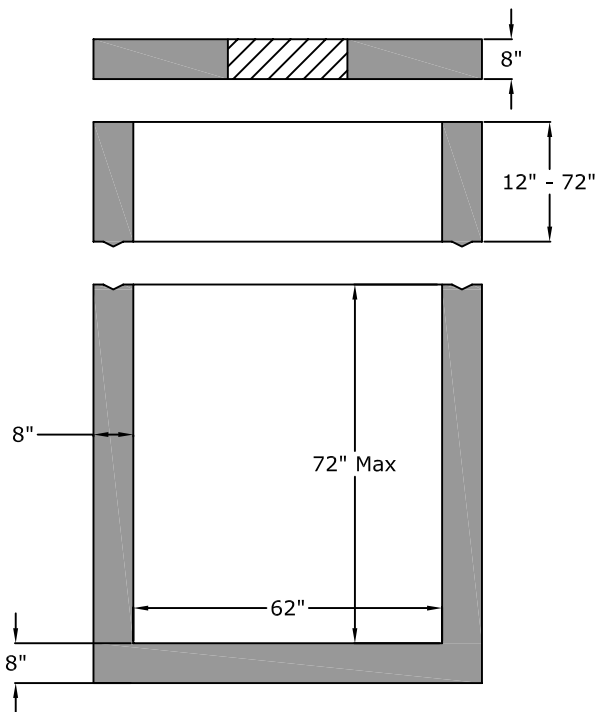
Top Lid

Height (in.)	Weight (lb.)
8"	4,200

Riser Weight

Height (in.)	Weight (lb.)
12"	2,300
24"	4,600
36"	6,900
48"	9,200
60"	11,500
72"	13,800

Side View



Base Weight

Height (in.)	Weight (lb.)
12"	6,500
24"	8,800
36"	11,100
48"	13,400
60"	15,700
72"	18,000

Approved for Production

Project: _____

Date: _____

Quantity: _____

By: _____



C.R. Barger & Sons, Inc.
 P.O. Box 370 - Kingston TN 37763
 Phone 888.882.5860 - BargerAndSons.com

Specifications

Concrete: 5,000 psi minimum strength (28 day)
Reinforcement: ASTM C 913 Latest Edition

62" x 62" Area Drain, Curb Inlet, Catch Basin & General Box

Date: 8.262009

Drawn By: Eric Barger

Approx. Vault Weight: