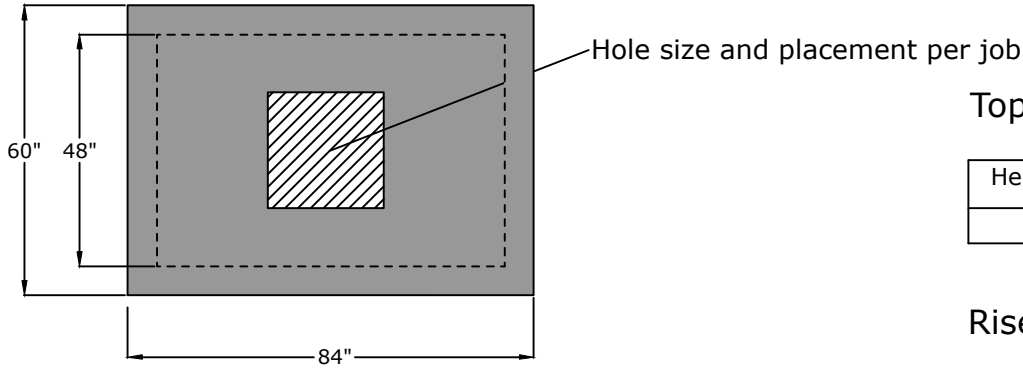


Top View



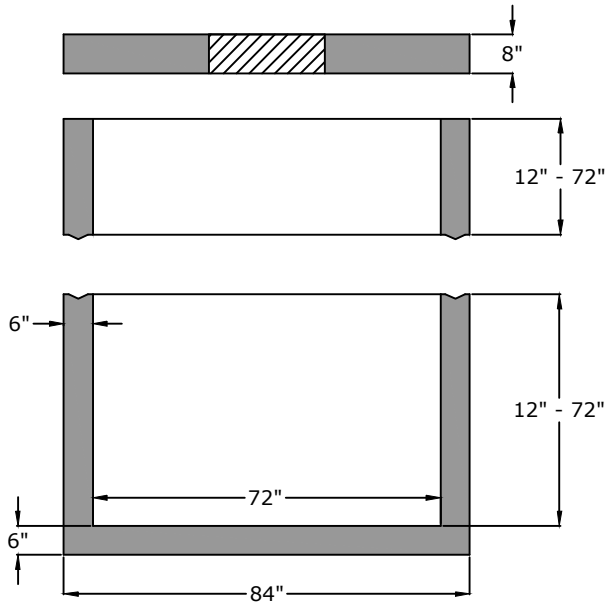
Top Lid

Height (in.)	Weight (lb.)
8"	3,500

Riser Weight

Height (in.)	Weight (lb.)
24"	3,300
36"	4,900
48"	6,500
42"	8,200
72"	9,800

Side View



Base Weight

Height (in.)	Weight (lb.)
24"	5,900
36"	7,500
48"	9,100
60"	10,800
72"	12,400

Approved for Production

Project: _____

Date: _____

Quantity: _____

By: _____

BARGER
PRECAST

Specifications

Concrete: 5,000 psi minimum strength (28 day)
Reinforcement: ASTM C 913 Latest Edition

48" W x 72" L

Area Drain, Curb Inlet, Catch Basin & General Box

C.R. Barger & Sons, Inc.
P.O. Box 370 - Kingston TN 37763
Phone 888.882.5860 - BargerAndSons.com

Date: 11.112011

Drawn By: Eric Barger

Last Updated: 11.052021