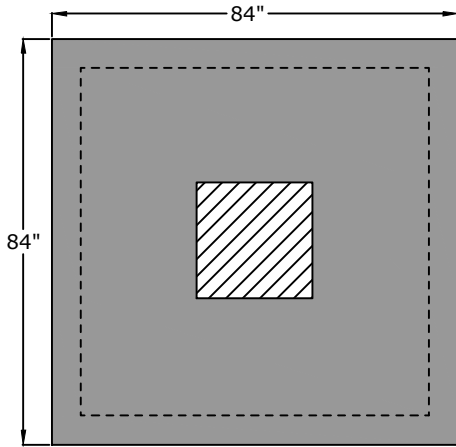


Top View



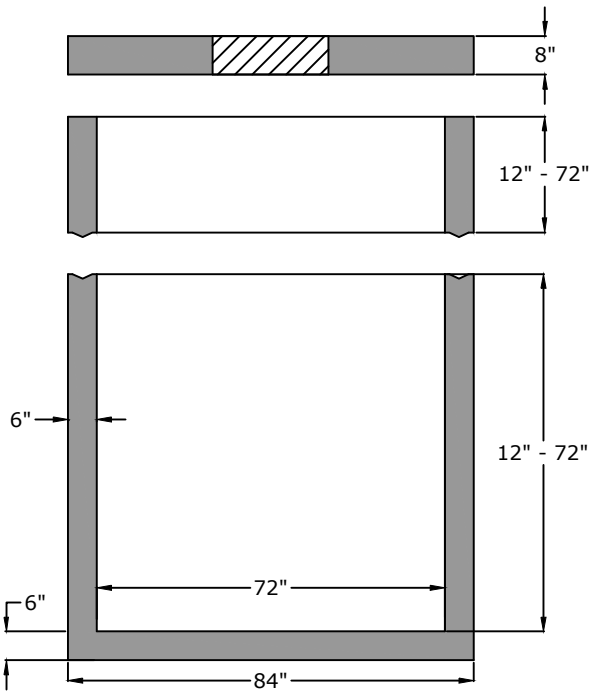
Top Lid

Height (in.)	Weight (lb.)
8"	3,600

Riser Weight

Height (in.)	Weight (lb.)
12"	2,000
24"	3,900
36"	5,800
48"	7,700
60"	9,600
72"	11,600

Side View



Base Weight

Height (in.)	Weight (lb.)
12"	5,560
24"	7,500
36"	9,400
48"	11,400
60"	13,300
72"	15,200

Approved for Production

Project: _____ Date: _____

Quantity: _____ By: _____

BARGER
PRECAST

Specifications

Concrete: 5,000 psi minimum strength (28 day)
Reinforcement: ASTM C 913 Latest Edition

72" x 72"

Area Drain, Curb Inlet, Catch Basin & General Box

C.R. Barger & Sons, Inc.
P.O. Box 370 - Kingston TN 37763
Phone 888.882.5860 - BargerAndSons.com

Date: 11.112011

Drawn By: Eric Barger

Last updated: 10.222021