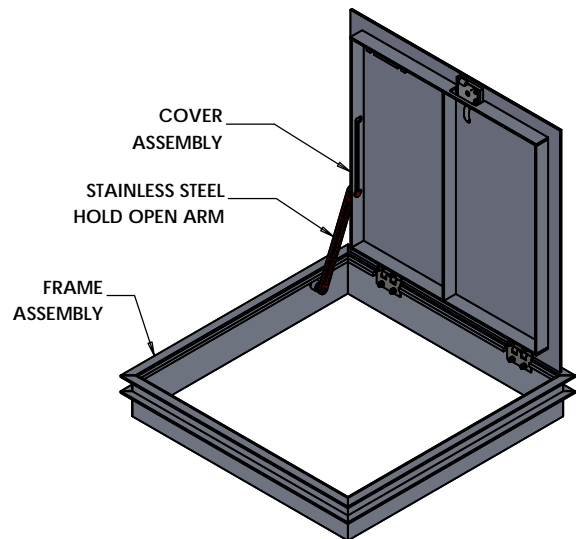
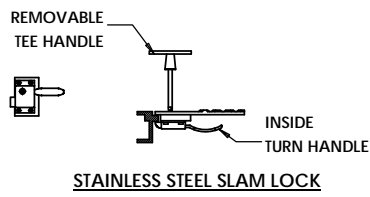
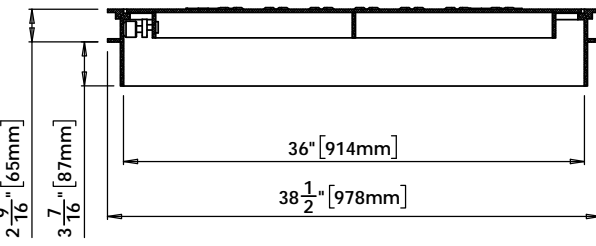
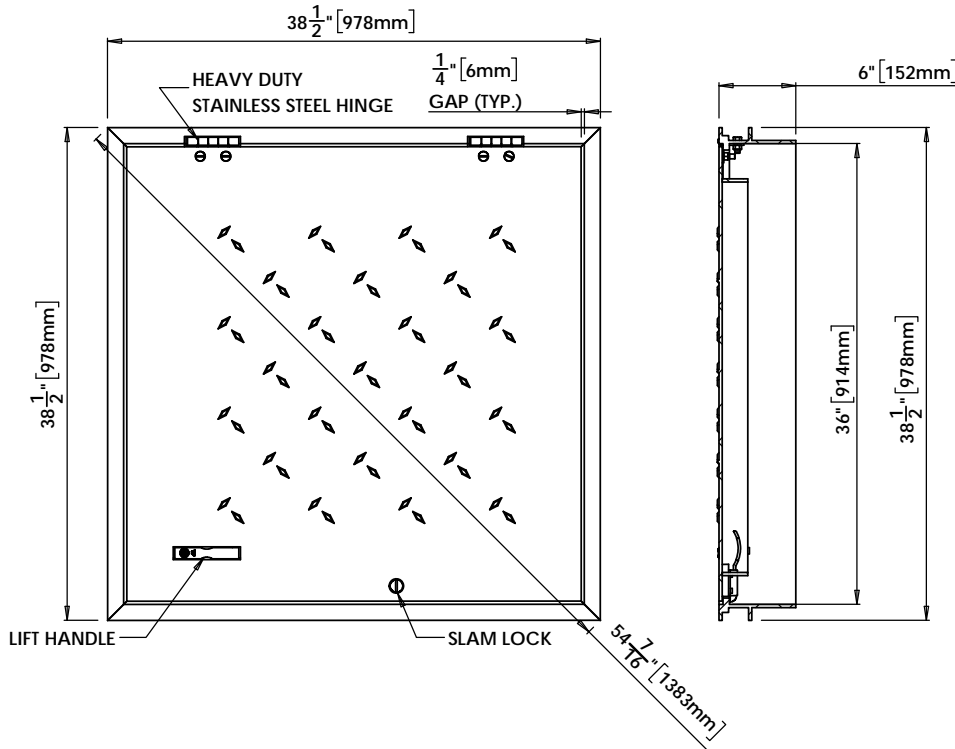


# ALN1 Pedestrian Rated Aluminum Hatch



STYLE ALN1 ACCESS HATCH, AS MANUFACTURED BY EJ.

MATERIAL SHALL BE 6061-T6 ALUMINUM FOR BARS, ANGLES, AND EXTRUSIONS. 1/4" DIAMOND PLATE SHALL BE 5086 ALUMINUM.

UNIT DESIGNED PEDESTRIAN RATED, FOR A MINIMUM LIVE LOAD OF 300 LBS./SQ.FT.

FRAME SHALL BE OF EXTRUDED ALUMINUM WITH A CONTINUOUS 1-1/4" ANCHOR FLANGE, HAVING THE SEAT AS AN INTEGRAL PART OF THE EXTRUSION.

EACH DOOR SHALL BE EQUIPPED WITH A HOLD OPEN ARM. DOOR SHALL LOCK OPEN IN THE 90 DEGREE POSITION. HOLD OPEN ARM SHALL BE FASTENED TO THE FRAME WITH A 1/2" GRADE 316 STAINLESS STEEL BOLT.

EACH HATCH SHALL BE SUPPLIED WITH GRADE 316 STAINLESS STEEL HINGES.

ALL HARDWARE SHALL BE STAINLESS STEEL.

EACH HATCH SHALL BE EQUIPPED WITH AN ALUMINUM LIFT HANDLE. THE LIFT HANDLE SHALL BE FLUSH WITH THE TOP OF THE 1/4" DIAMOND PLATE.

EACH HATCH SHALL BE SUPPLIED WITH A GRADE 316 STAINLESS STEEL SLAM LOCK, WITH KEY WAY PROTECTED BY A THREADED PLUG. PLUG SHALL BE FLUSH WITH THE TOP OF THE 1/4" DIAMOND PLATE. SLAM LOCK SHALL BE FASTENED WITH FOUR, GRADE 316 STAINLESS STEEL BOLTS AND WASHERS.

## Product Number

H36361006

## Design Features

- Materials  
Aluminum
- Design Load  
300 psf
- Open Area
- Coating  
Mill Finish
- √ Designates Machined Surface

## Certification

- WT 78 lbs
- Country of Origin: USA

## Drawing Revision

8/7/2018 Designer: EAB  
Revised By:

## Disclaimer

Weights (lbs/kg), dimensions (inches/mm) and drawings provided for your guidance. We reserve the right to modify specifications without prior notice.

CONFIDENTIAL: This drawing is the property of EJ Group, Inc. and embodies confidential information, registered marks, patents, trade secret information, and/or know how that is the property of EJ Group, Inc. Copyright © 2012 EJ Group, Inc. All rights reserved.

## Contact

800 626 4653  
ejco.com