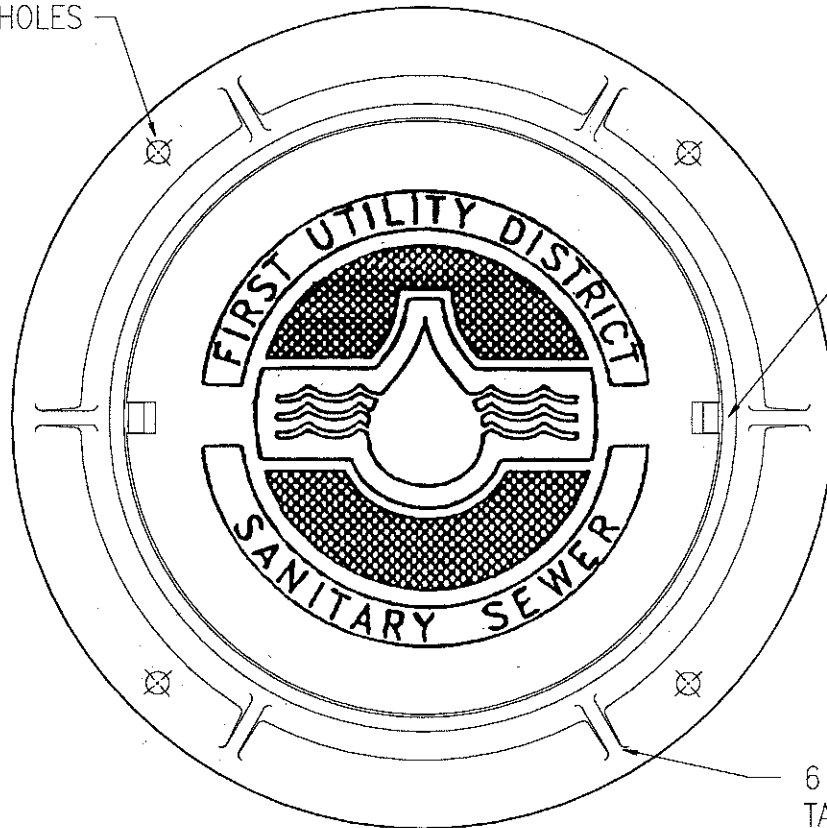
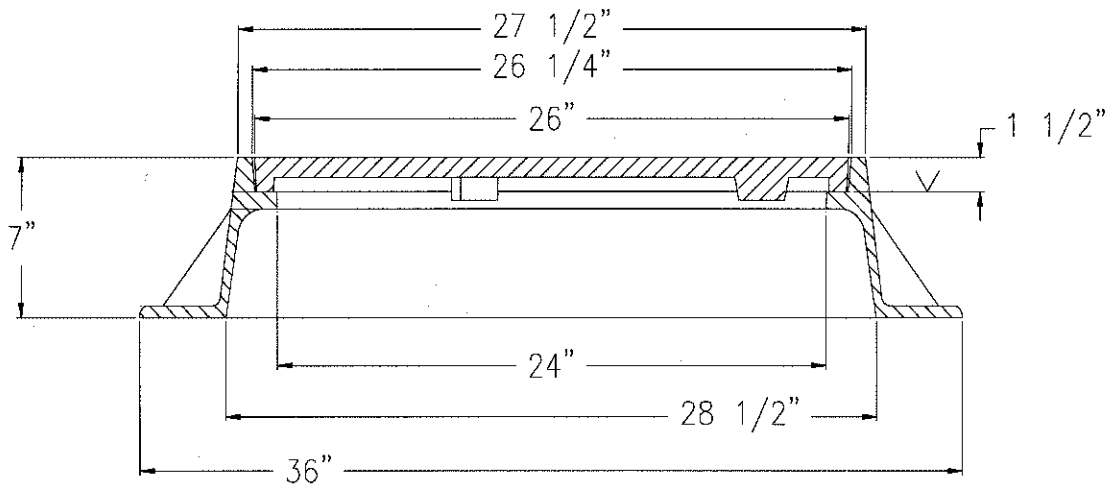


4 -  $\varnothing$ 1" ANCHOR HOLES



2 CONCEALED PICKSLOTS

6 GUSSETS 5/8" TAPER TO 3/8"



MADE IN THE USA

CLASS 35B GRAY IRON  
MACHINED BEARING SURFACES  
HEAVY DUTY, H20 LOAD RATED

**John Bouchard & Sons Co.**

1024 Harrison Street, Nashville, TN 37203

Tel: 615-256-0112

Fax: 615-327-2427

www.jbouchard.com email: foundry@jbouchard.com

**1152 FRAME & COVER**