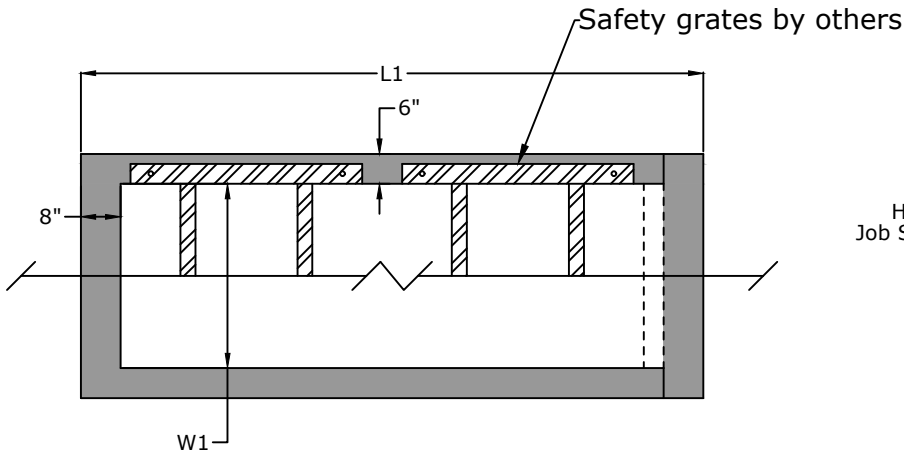
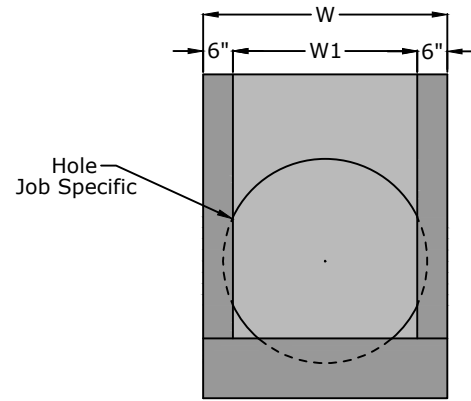


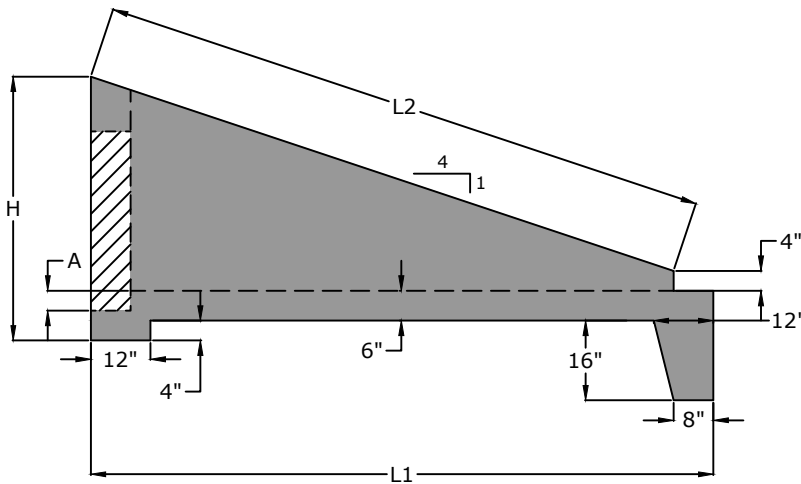
Top View



Front View



Side View



Dimensions (inches)

Pipe Culv. Dia.	H	L1	L2	W	W1	Wt. (lb.)
24"	45"	132"	127.9"	42"	30"	6,960

Hole Diameter	
Dimension "A"	
Pipe Size	

Approved for Production

Project: _____

Date: _____

Quantity: _____

By: _____

BARGER
PRECAST

Specifications

Concrete: 5,000 psi minimum strength (28 day)
Reinforcement: #4 rebar, Grade 60 per TDOT Standard D-PE-4B

C.R. Barger & Sons, Inc.
P.O. Box 370 - Kingston TN 37763
Phone 888.882.5860 - BargerAndSons.com

TDOT Type "U" Headwall
4:1

Date: 6.192019

Drawn By: Eric Barger

Approx. Weight: See above