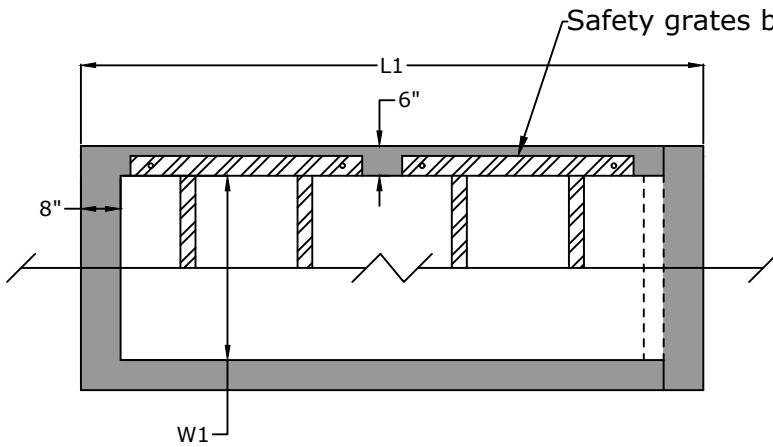
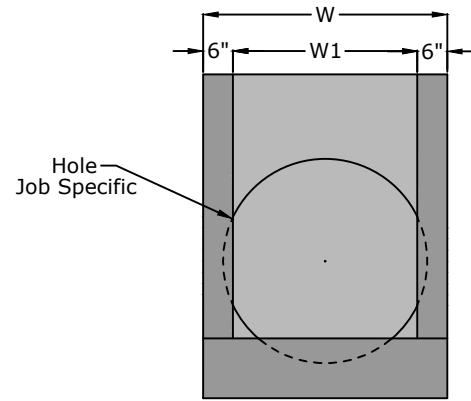


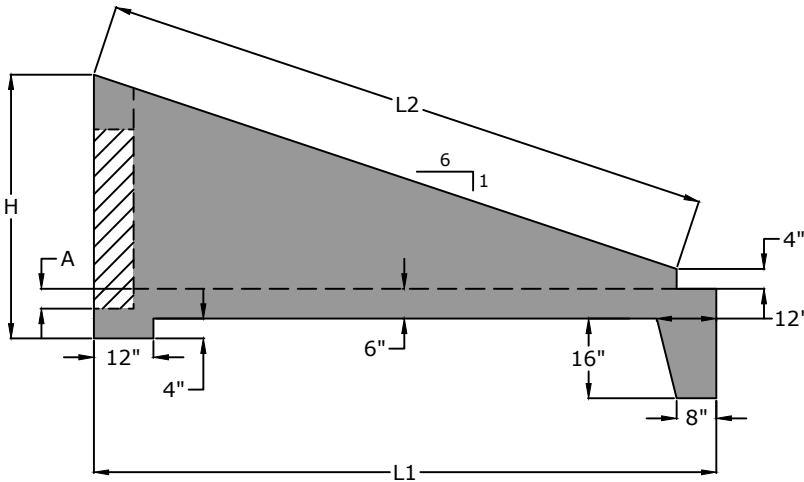
Top View



Front View



Side View



Dimensions (inches)

Pipe Culv. Dia.	H	L1	L2	W	W1	Wt. (lb.)
24"	45"	194"	188.6"	42"	30"	8,880

Hole Diameter	
Dimension "A"	
Pipe Size	

Approved for Production

Project: _____

Date: _____

Quantity: _____

By: _____



Specifications

Concrete: 5,000 psi minimum strength (28 day)
Reinforcement: #4 rebar, Grade 60 per TDOT Standard D-PE-6B

**TDOT Type "U" Headwall
6:1**

C.R. Barger & Sons, Inc.
 P.O. Box 370 - Kingston TN 37763
 Phone 888.882.5860 - BargerAndSons.com

Date: 6.192019

Drawn By: Eric Barger

Approx. Weight: See above