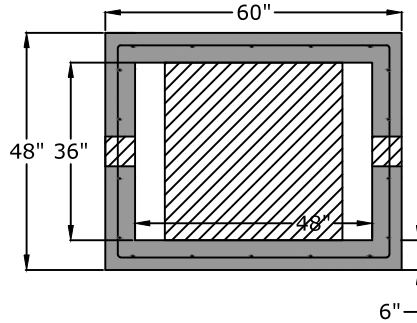
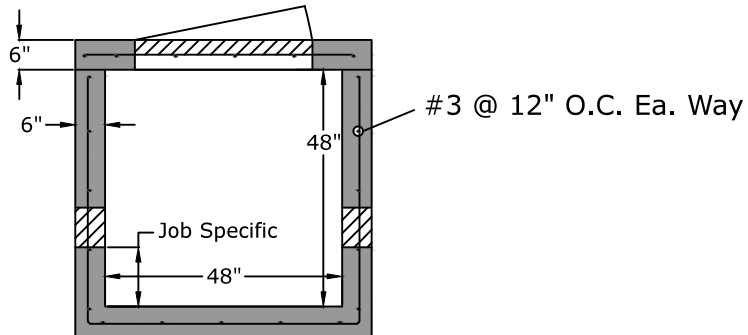


Top View



Side View

Aluminum Hatch



**Approved for Production**

Project: \_\_\_\_\_

Date: \_\_\_\_\_

Quantity: \_\_\_\_\_

By: \_\_\_\_\_



**C.R. Barger & Sons, Inc.**  
 P.O. Box 370 - Kingston TN 37763  
 Phone 865.270.8080 - BargerAndSons.com

**Specifications**

- Concrete:** 5,000 psi minimum strength (28 day)
- Reinforcing:** Primary reinforcement will be a #3 rebar (Grade 60) rebar.
- Pipe Penetrations:** All pipe penetrations are placed according to job requirements.
- Pipe Stands:** Adjustable height pipe stands will be provided to support assembly.
- Sealant:** Sealant used will meet or exceed ASTM C990.
- Steps:** Aligned under hatch unless specified.
- General:** Meter vaults are not water tight structures.

**4' W x 3' L x 4' T Vault**

Date: 2.232011

Drawn By: Eric Barger

Approx. Vault Weight: 7,700 lbs.