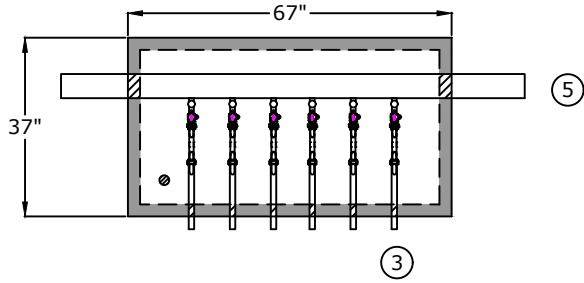
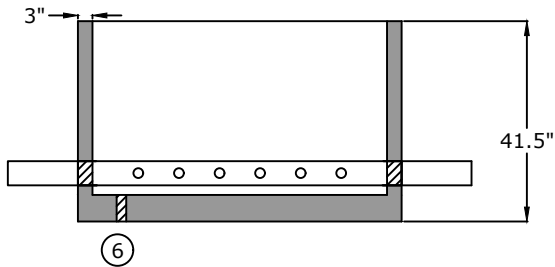


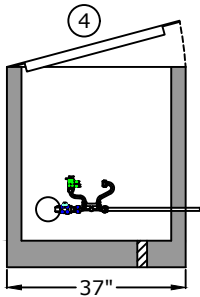
Top View



Side View

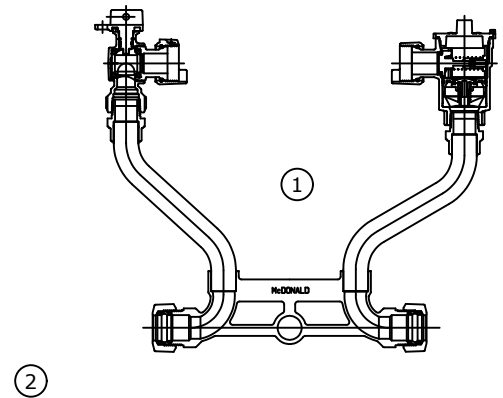


End View

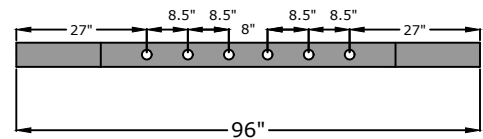


1. Meter Yoke  
A.Y. McDonald 721-412JMQQ 44
2. Corporation Stop  
A.Y. McDonald 74101BCAPQ 1"
3. 1" Type K Soft Copper
4. Grassy area - 29" x 59" opening  
single leaf aluminum door, pedestrian  
rated (300 lb/ft<sup>2</sup>) S1R029059B
- Sidewalk area - Halliday  
W1S030060CWD slam lock w/key,  
bituminous coating, spring assists,  
EPDM gasket/cushion/ powder coat  
top with aggregate (black)
5. 4" D.I.P.
6. 2" drain hole

Component Detail



Pipe detail for taps



Approved for Production

Project: \_\_\_\_\_ Date: \_\_\_\_\_

Quantity: \_\_\_\_\_ By: \_\_\_\_\_

**BARGER  
PRECAST**

Specifications

**Concrete:** 5,000 psi minimum strength (28 day)  
**Pipe Penetrations:** All pipe penetrations are placed according to job requirements.

**6 Gang 1" Meter Vault  
First Utility District**

C.R. Barger & Sons, Inc.  
P.O. Box 370 - Kingston TN 37763  
Phone 888.882.5860 - BargerAndSons.com

Date: 5.112021

Drawn By: Eric Barger

Approx. Empty Vault Weight: 3,100 lbs.