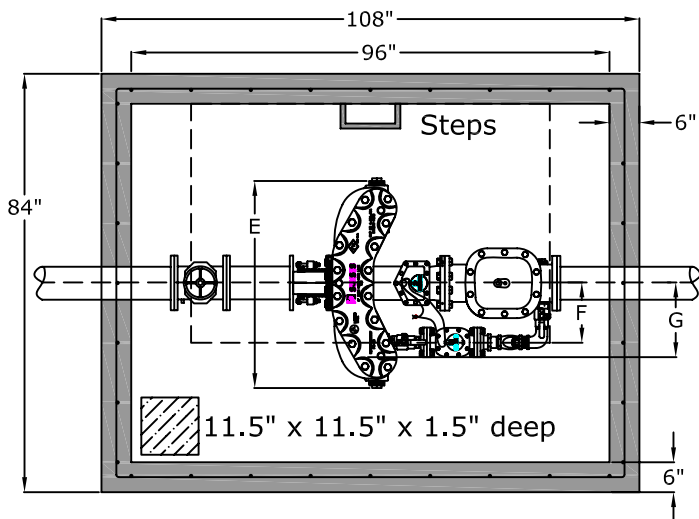


### Top View

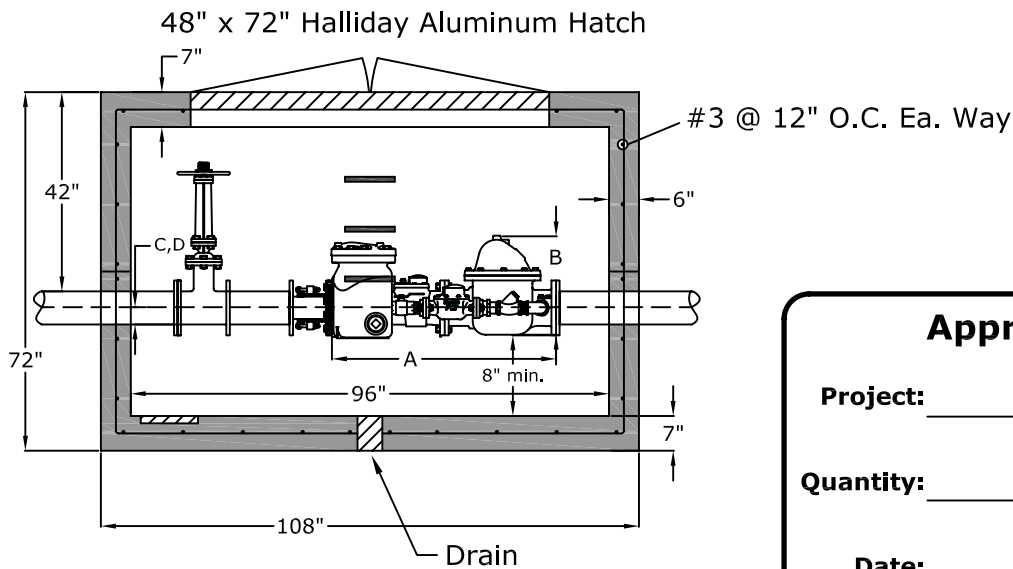


Sensus Compact FireLine Assembly with Flanged Coupling Adapter

### Dimensions (inches)

Size	A	B	C	D	E	F	G
4"	33	16.25	4.5	4.5	35	11.75	14.25
6"	45	23.75	5.75	5.75	40.44	11.34	14.25
8"	53	24	6.75	6.75	45.5	13.65	17

### Side View



### Approved for Production

Project: \_\_\_\_\_

Quantity: \_\_\_\_\_

Date: \_\_\_\_\_

By: \_\_\_\_\_



Protecting the Environment  
**BargerAndSons.com**  
 one tank at a time since 1967.

C.R. Barger & Sons, Inc.  
 P.O. Box 370 - Kingston TN 37763  
 Phone 888.882.5860 - BargerAndSons.com

### Specifications

- Concrete:** 5,000 psi minimum strength (28 day)
- Reinforcing:** Primary reinforcement will be a #3 rebar (Grade 60) rebar.
- Pipe Penetrations:** The inlet and outlet are fitted with solid seals that meet or exceed ASTM C923 (4" D.I.P. - 10" D.I.P.). All pipe penetrations are placed according to job requirements.
- Pipe Stands:** Adjustable height pipe stands will be provided to support assembly.
- Sealant:** Sealant used will meet or exceed ASTM C990.
- Steps:** Aligned under hatch unless specified.

### 8' x 6' Fire & Domestic Meter Box - 8" City of Franklin Water Services Detail

Date: 6.212009

Drawn By: Eric Barger

Approx. Vault Weight: 22,000 lbs.