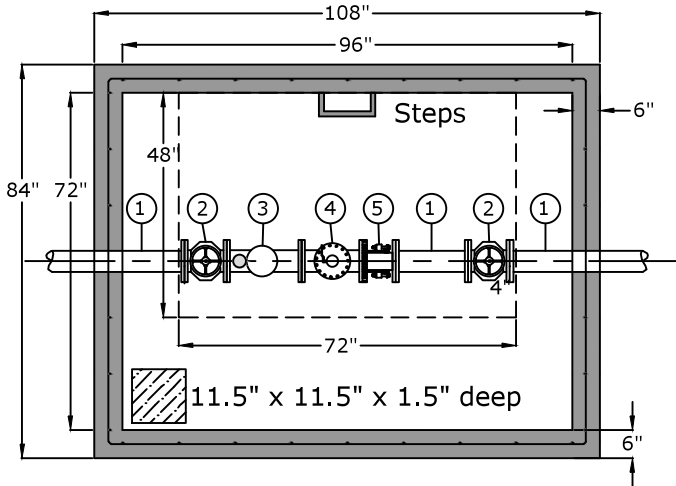
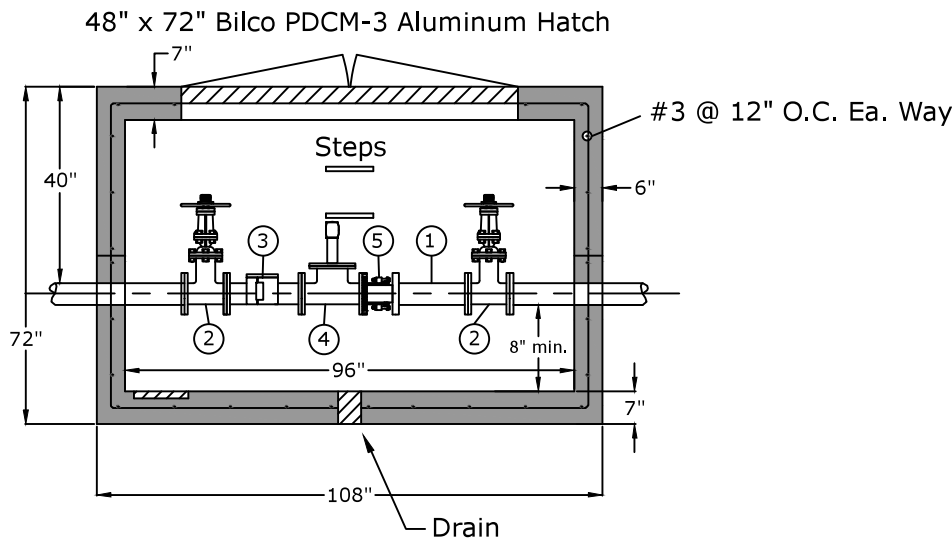


Top View



- 1. 4" Flg x PE DI Pipe
- 2. 4" Flange Gate Valve
- 3. 4" Master Meter Octave Meter
- 4. 4" Flanged Tee with 4x2 tapped Blind Flange, 2x6 Brass Nipple and 2" Brass Ball Valve for testing
- 5. 4" Smith Blair 913 Flange Apapter

Side View



Approved for Production

Project: \_\_\_\_\_ Date: \_\_\_\_\_

Quantity: \_\_\_\_\_ By: \_\_\_\_\_



C.R. Barger & Sons, Inc.  
P.O. Box 370 - Kingston TN 37763  
Phone 888.882.5860 - BargerAndSons.com

Specifications

**Concrete:** 5,000 psi minimum strength (28 day)  
**Reinforcing:** Primary reinforcement will be a #3 rebar (Grade 60) rebar.  
**Pipe Penetrations:** The inlet and outlet are fitted with solid seals that meet or exceed ASTM C923 (4" D.I.P. - 10" D.I.P.). All pipe penetrations are placed according to job requirements.  
**Pipe Stands:** Adjustable height pipe stands will be provided to support assembly.  
**Sealant:** Sealant used will meet or exceed ASTM C990.  
**Steps:** Aligned under hatch unless specified.

8' x 6' - 4" Domestic Meter Box  
City of Brentwood Water Services Detail

Date: 1/9/2013

Drawn By: RFB

Approx. Vault Weight: 18,000 lbs.