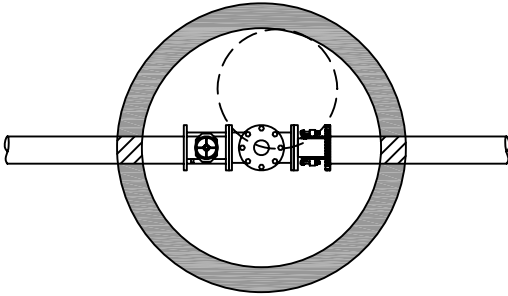


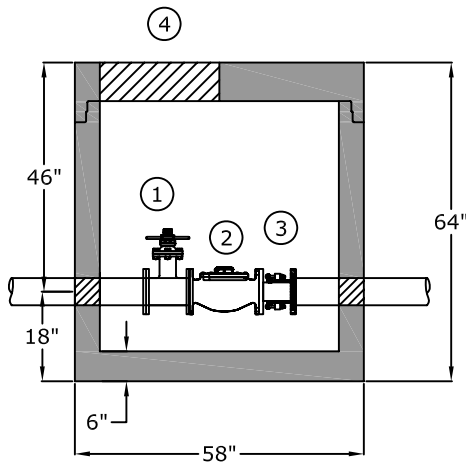
Top View



→
Flow

1. Flanged gate valve
2. Hersey MVR650 meter (flanged)
3. Flanged coupling adapter
4. Manhole frame and cover, provide 1- $\frac{7}{8}$ " diameter hole for electronic transmitter

Side View



Approved for Production

Project: _____

Quantity: _____

Date: _____

By: _____



C.R. Barger & Sons, Inc.
P.O. Box 370 - Kingston TN 37763
Phone 888.882.5860 - BargerAndSons.com

Specifications

Concrete: 5,000 psi minimum strength (28 day)

Pipe Penetrations: The inlet and outlet are fitted with solid rubber seals that meet or exceed ASTM C923 (4" D.I.P. - 10" D.I.P.) when requested. All pipe penetrations are placed according to job requirements.

Pipe Stands: Adjustable height pipe stands will be provided to support assembly.

Sealant: Sealant used will meet or exceed ASTM C990.

Steps: Aligned under hatch unless specified.

3" and 4" Meter Box Fort Campbell, KY

Date: 2.172009

Drawn By: Eric Barger

Approx. Vault Weight: 4,000 lbs.