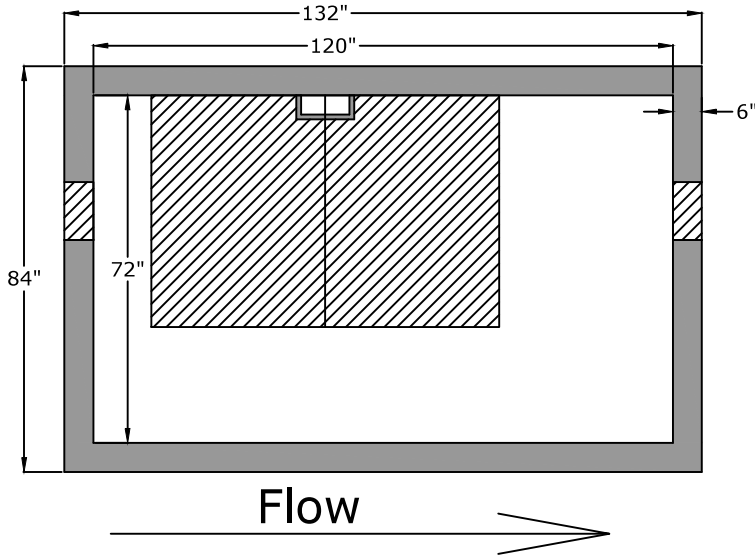


Top View



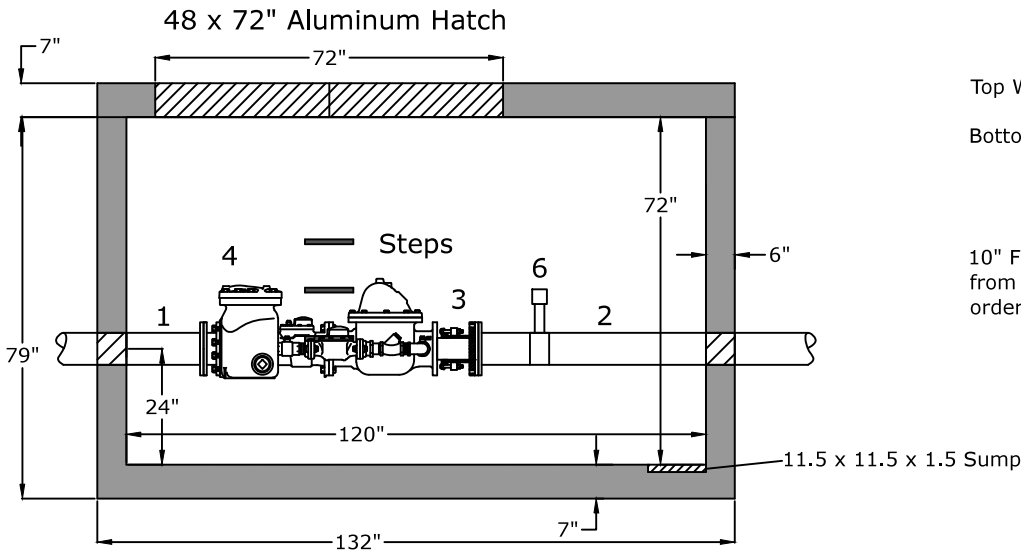
Precast Notes

- Meter to be 12" minimum from wall
- Meter has to be centered underneath the hatch
- Test port minimum 18" downstream of meter.
- Top must be poured after bottom vault assembly has been measured and assured it meets above three requirements.

Material List

- 1) 10" FLG x PE spool 6' long
- 2) 10" FLG x PE Spool 6' long with 2" hole 10" from flange
- 3) 10" Romac DJ 400 FLG dismantling joint
- 4) 3 - 10" FLG Acc
- 5) 10" FSAA fireline meter
- 6) 10" x 2" IP JCM 401 saddle, 2"x6" brass nipple, 2" AYM Brass Ball Valve, 2" Brass Plug
- 7) W2S7248 hatch with 7" skirt

Side View



Top Weight - 5,200 lb

Bottom Weight w/o assembly - 23,000 lb

10" FSAA meter with 2 ERTs must be purchased from Gladeville Utility District. Meter will not be ordered until it is paid for.

Approved for Production

Project: _____

Date: _____

Quantity: _____

By: _____



C.R. Barger & Sons, Inc.
P.O. Box 370 - Kingston TN 37763
Phone 865.270.8080 - BargerAndSons.com

Specifications

- Concrete:** 5,000 psi minimum 28 day compressive strength
- Reinforcing:** Primary reinforcing will be Grade 60 rebar.
- Pipe Penetrations:** All pipe penetrations are placed according to job requirements.
- Sealant:** Sealant used will meet ASTM C 990.
- Steps:** On 16" center unless otherwise specified.

10" Gladeville Fireline Meter 10' L x 6' W x 6' T Vault

Date: 8.032016

Drawn By: Eric Barger

Approx. Vault Weight: See above