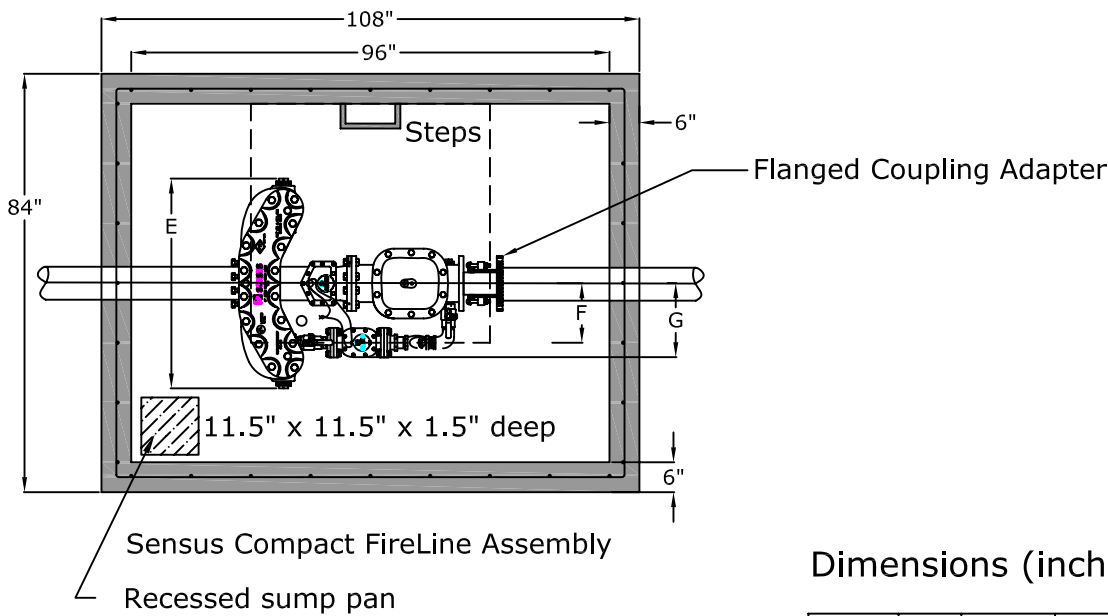


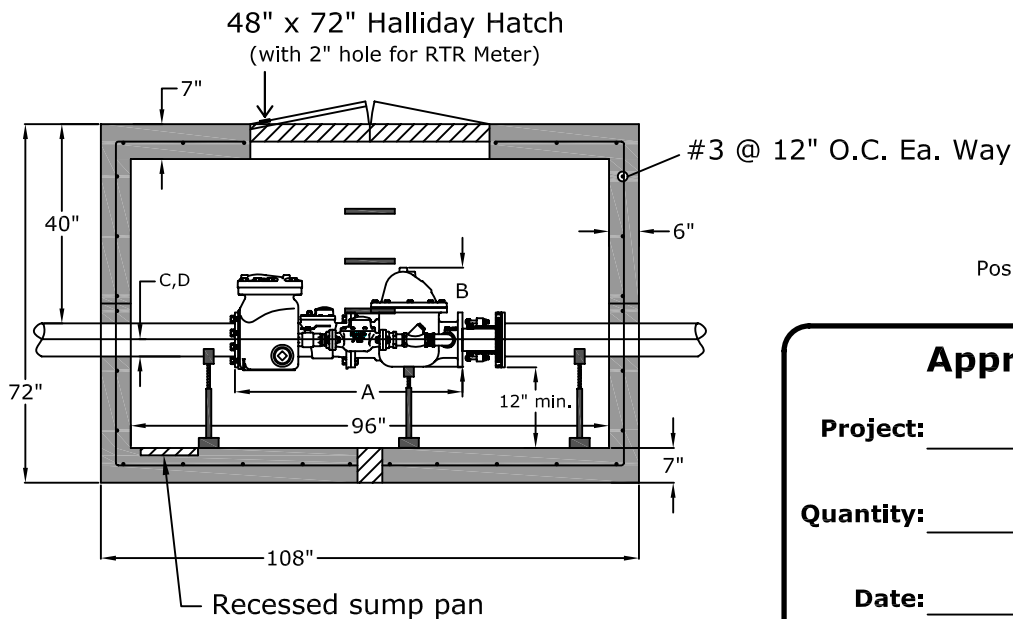
Top View



Dimensions (inches)

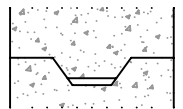
Size	A	B	C	D	E	F	G
10"	68	28.13	8.5	8.5	50	16.18	18.74

Side View



Joint Detail

Positive Lock Male/Female Keyway
+- 0.005" tolerance



Approved for Production

Project: _____

Quantity: _____

Date: _____

By: _____



C.R. Barger & Sons, Inc.
P.O. Box 370 - Kingston TN 37763
Phone 888.882.5860 - BargerAndSons.com

Specifications

- Concrete:** 5,000 psi minimum strength (28 day)
- Reinforcing:** Primary reinforcement will be a #3 rebar (Grade 60) rebar.
- Pipe Penetrations:** The inlet and outlet are fitted with solid seals that meet or exceed ASTM C923 (4" D.I.P. - 8" D.I.P.). All pipe penetrations are placed according to job requirements.
- Pipe Stands:** Adjustable height pipe stands will be provided to support assembly.
- Sealant:** Sealant used will meet or exceed ASTM C990.
- Steps:** Aligned under hatch unless specified.

8' x 6' Fire Meter Vault - 10" Hendersonville Utility District

Date: 5.232011

Drawn By: Eric Barger

Approx. Vault Weight: 22,000 lbs.