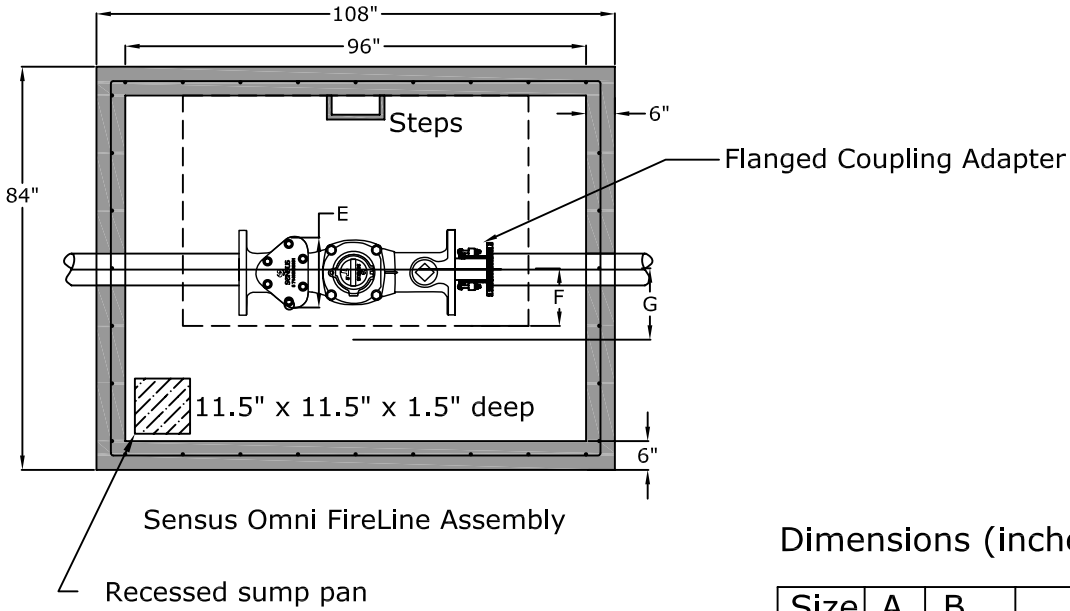


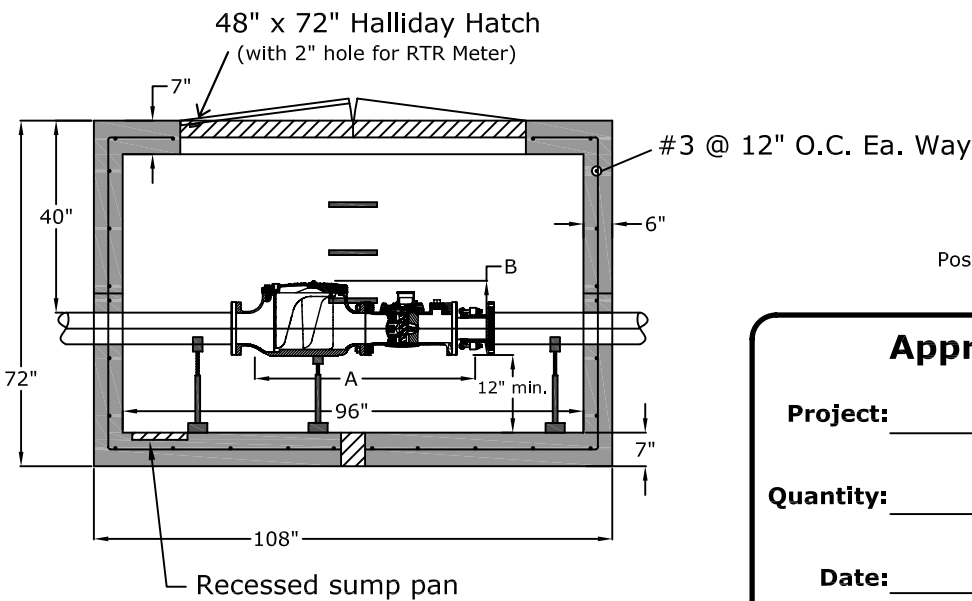
Top View



Dimensions (inches)

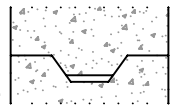
Size	A	B	D	Weight
4"				
6"	45	15.75	22.5	450 lb.

Side View



Joint Detail

Positive Lock Male/Female Keyway  
 +- 0.005" tolerance



Approved for Production

Project: \_\_\_\_\_

Quantity: \_\_\_\_\_

Date: \_\_\_\_\_

By: \_\_\_\_\_



Five generations. One goal.  
**BargerAndSons.com**  
 Quality precast concrete.

C.R. Barger & Sons, Inc.  
 P.O. Box 370 - Kingston TN 37763  
 Phone 888.882.5860 - BargerAndSons.com

Specifications

- Concrete:** 5,000 psi minimum strength (28 day)
- Reinforcing:** Primary reinforcement will be a #3 rebar (Grade 60) rebar.
- Pipe Penetrations:** The inlet and outlet are fitted with solid seals that meet or exceed ASTM C923 (4" D.I.P. - 8" D.I.P.). All pipe penetrations are placed according to job requirements.
- Pipe Stands:** Adjustable height pipe stands will be provided to support assembly.
- Sealant:** Sealant used will meet or exceed ASTM C990.
- Steps:** Aligned under hatch unless specified.

**8' x 6' Fire Meter Vault (4" & 6")  
 Hendersonville Utility District**

Date: 3.072011      Drawn By: Eric Barger      Approx. Vault Weight: 22,000 lbs.