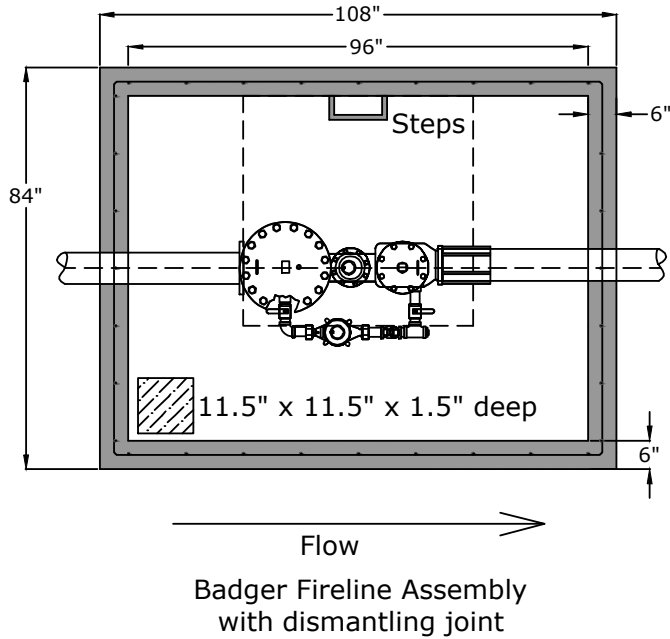


Top View

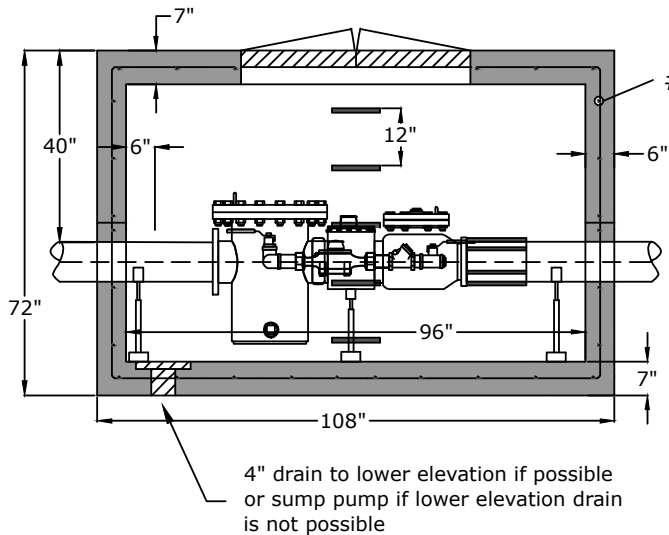


1. 6" Badger Fire Meter w/ Disc. Bypass
2. 6" Dismantling joint
3. 2" test assembly on Badger Fire Meter
4. Halliday W2S7248
5. (3) 6" Flange Accessories
6. 6" Flg. x PE 6' 0"

Please Note: 6" Flange Check Valve Will Be Required If Backflow Preventor Is Inside The Building.

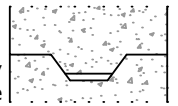
Side View

Halliday W2S7248 or approved equal placed and sized to remove meter



Joint Detail

Positive Lock Male/Female Keyway
+/- 0.005" tolerance



Approved for Production

Project: _____

Quantity: _____

Date: _____

By: _____

BARGER
PRECAST

Specifications

- Concrete:** 5,000 psi minimum strength (28 day)
- Reinforcing:** Primary reinforcement will be a #3 rebar (Grade 60) rebar.
- Pipe Penetrations:** The inlet and outlet are fitted with solid seals that meet or exceed ASTM C923 (4" D.I.P. - 10" D.I.P.). All pipe penetrations are placed according to job requirements.
- Pipe Stands:** Adjustable height pipe stands will be provided to support assembly.
- Sealant:** Sealant used will meet or exceed ASTM C990.
- Steps:** Aligned under hatch unless specified.

C.R. Barger & Sons, Inc.
P.O. Box 370 - Kingston TN 37763
Phone 888.882.5860 - BargerAndSons.com

8' x 6' Fire Meter Box - 6"
City of Lebanon

Date: 4.092020

Drawn By: D. Lemasters

Approx. Vault Weight: 18,000 lbs.