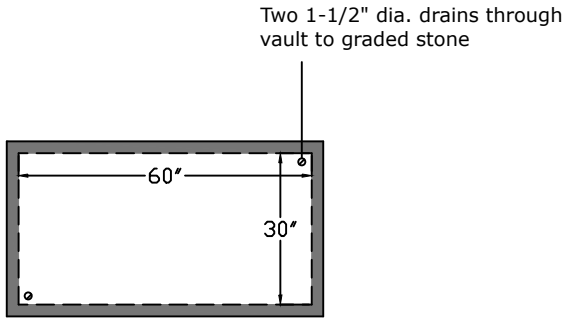
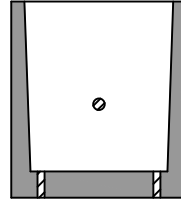


Top View

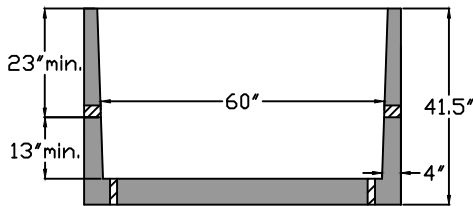


End View



Contractor shall drill two 2" dia. holes through hatch for antenna mounting
 (1) Halliday 29" x 59" hatch

Side View



Two 1-1/2" dia. drains through vault to graded stone

Approved for Production

Project: _____

Date: _____

Quantity: _____

By: _____

BARGER
PRECAST

Specifications

Concrete: 5,000 psi minimum strength (28 day)
Reinforcing: Primary reinforcement will be a #3 rebar (Grade 60) rebar.
Drain: A drain and drain cover are fitted in the vault floor.

2" Mallory Valley Meter Box
Mallory Valley Utility District

C.R. Barger & Sons, Inc.
 P.O. Box 370 - Kingston TN 37763
 Phone 888.882.5860 - BargerAndSons.com

Date: 12.202016

Drawn By: Eric Barger

Approx. Weight: 3,050 lbs.