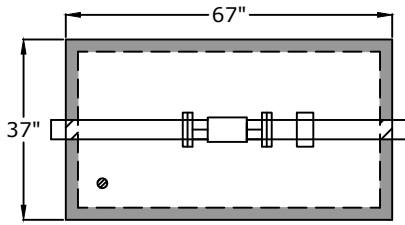
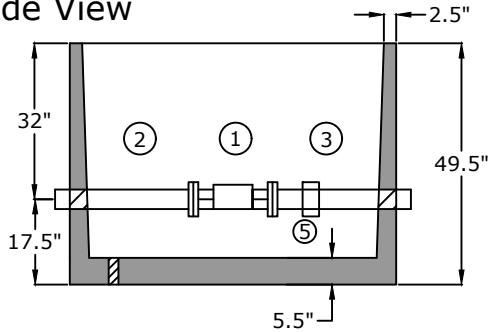


Top View

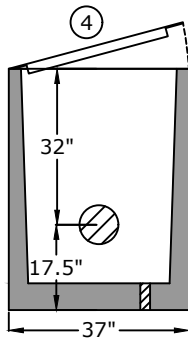


- 1. 4" Sensus Omni C2 10 USG with Itron.  
ERW-1300-403 (1)  
LDS-0002-002 (1)  
CFG-0900-003 (1)
- 2. 4" Flg x PE 6'-0"
- 3. 4" PE x PE 6'-0"
- 4. Halliday S1R029059CD 29" x 59" Aluminum Hatch
- 5. 4" Romac flanged coupling adapter

Side View



End View



Approved for Production

Project: \_\_\_\_\_

Date: \_\_\_\_\_

Quantity: \_\_\_\_\_

By: \_\_\_\_\_



Specifications

**Concrete:** 5,000 psi minimum strength (28 day)  
**Pipe Penetrations:** All pipe penetrations are placed according to job requirements.  
**Pipe Stands:** N/A  
**Sealant:** N/A  
**Steps:** N/A

**4" MWSD Domestic Meter Assembly w/No Bypass MWSD**

C.R. Barger & Sons, Inc.  
 P.O. Box 370 - Kingston TN 37763  
 Phone 888.882.5860 - BargerAndSons.com

Date: 12.142018

Drawn By: Eric Barger

Approx. Empty Vault Weight: 3,100 lbs.