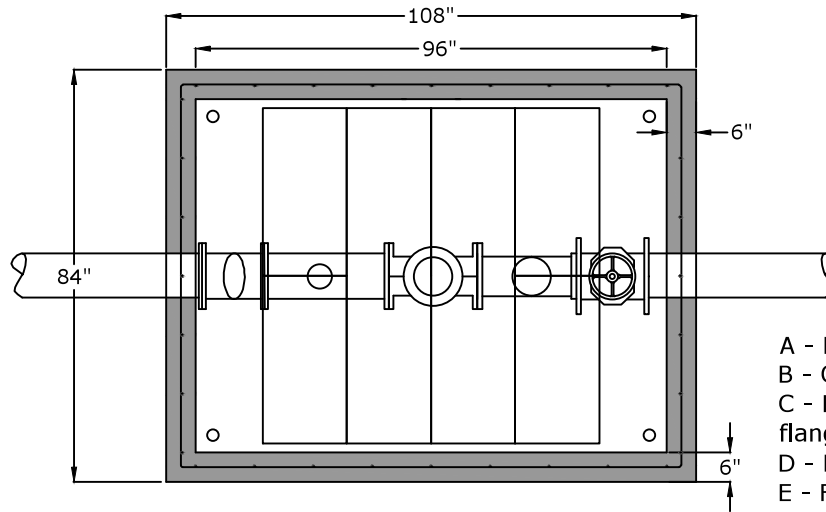


Top View

Vault size

4"
6"
8"



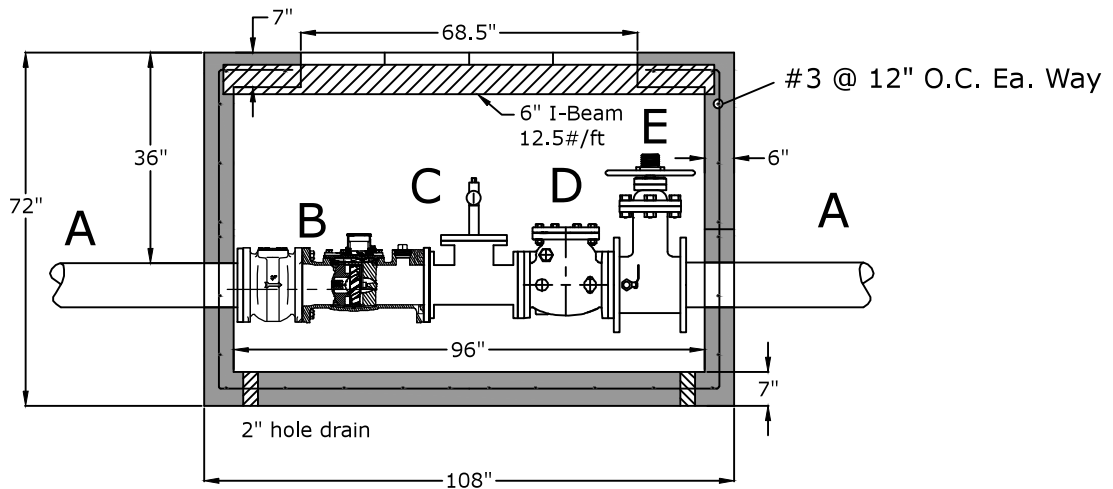
- A - Flange x Plain End DI Pipe
- B - Omni T2 Meter
- C - Flange Tee w/ 2" tapped blind flange
- D - Flange swing check valve
- E - Flange NRS gate valve
- F - JBS 8121 F&C 8 each

Item C may be a 8"x4", 6"x4", or 4" x 4" flanged tee with a 2" tapped blind flange

Side View

A

JBS 8121 Frame and Cover
6" I-Beam can be lifted out (100" long)



Approved for Production

Project: _____

Date: _____

Quantity: _____

By: _____



Five generations. One goal.
BargerAndSons.com
Quality precast concrete.

C.R. Barger & Sons, Inc.
P.O. Box 370 - Kingston TN 37763
Phone 865.270.8080 - BargerAndSons.com

Specifications

- Concrete:** 5,000 psi minimum strength (28 day)
- Reinforcing:** Primary reinforcement will be a #3 rebar (Grade 60) rebar.
- Pipe Penetrations:** All pipe penetrations are placed according to job requirements.
- Pipe Stands:** Adjustable height pipe stands will be provided to support assembly.
- Sealant:** Sealant used will meet or exceed ASTM C990.
- Steps:** Aligned under hatch unless specified.
- General:** Meter vaults are not water tight structures.

8' x 6' Domestic Omni Meter Assembly - 4", 6", 8"
Nashville Metro Water Services Detail

Date: 4.162014

Drawn By: Eric Barger

Approx. Vault Weight: 22,000 lbs.