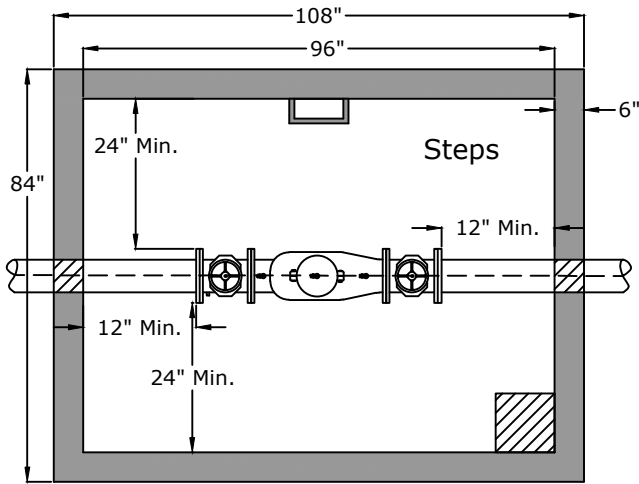


Top View

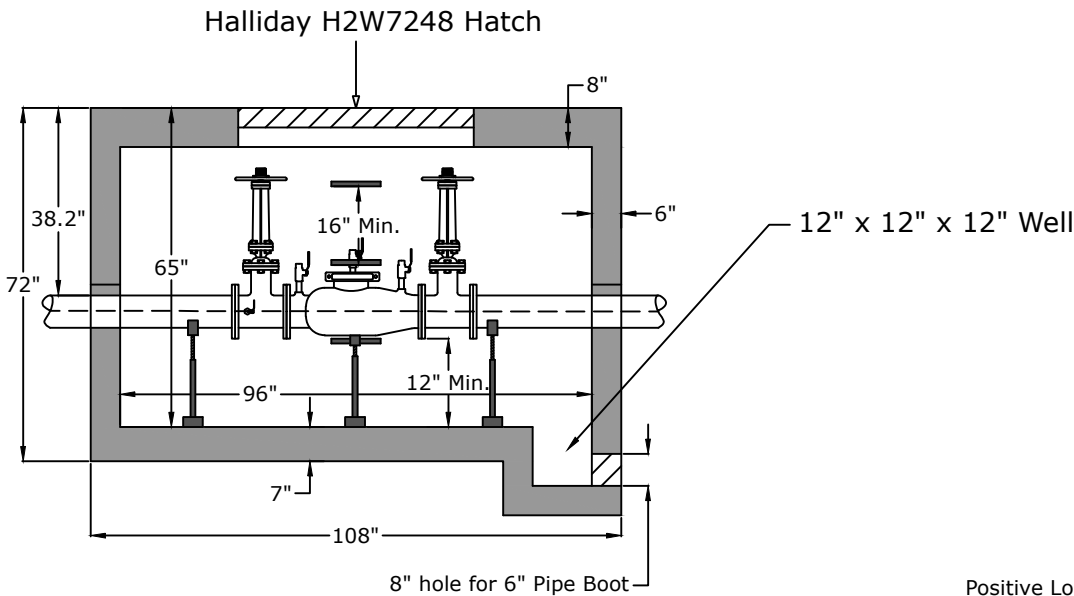


Wilkins DDCA 350ADAOSY

Notes

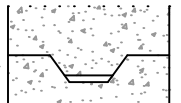
H20 Traffic Rated
8" Thick Top
Monolithic Sump Box

Side View



Joint Detail

Positive Lock Male/Female Keyway
+- 0.005" tolerance



Approved for Production

Project: _____

Date: _____

Quantity: _____

By: _____



Specifications

Concrete: 5,000 psi minimum strength (28 day)
Reinforcing: Primary reinforcement will be a #3 rebar (Grade 60) rebar.
Pipe Penetrations: The inlet and outlet are fitted with solid seals that meet or exceed ASTM C923 (4" D.I.P. - 10" D.I.P.). All pipe penetrations are placed according to job requirements.
Pipe Stands: Adjustable height pipe stands will be provided to support assembly.
Sealant: Sealant used will meet or exceed ASTM C990.
Steps: Aligned under hatch unless specified.

H20 8' x 6' Backflow Preventer Vault - 6"
Nashville Metro

C.R. Barger & Sons, Inc.
P.O. Box 370 - Kingston TN 37763
Phone 888.882.5860 - BargerAndSons.com

Date: 6.092017

Drawn By: Eric Barger

Approx. Vault Weight: 24,000 lbs.