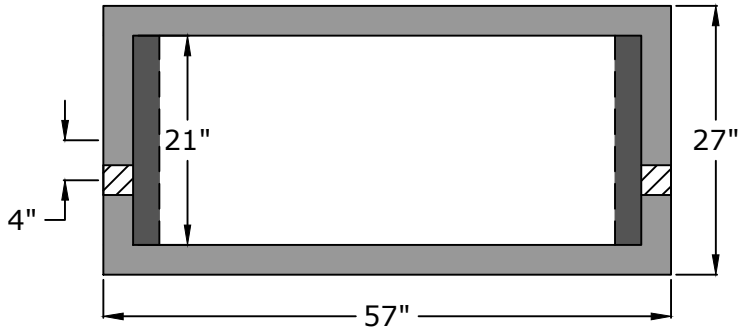
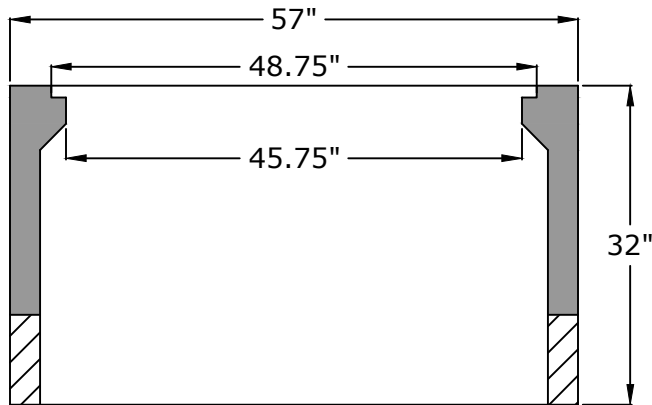


Top View

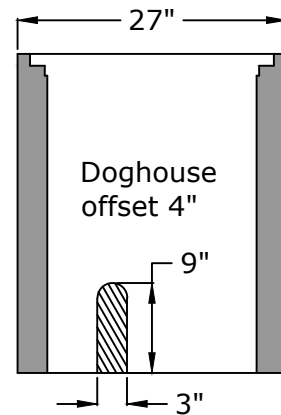


Halliday S1S020-44
44" x 20" Aluminum
Hatch
(Supplied by contractor)

Side View



End View



Approved for Production

Project: _____

Date: _____

Quantity: _____

By: _____

BARGER
PRECAST

Specifications

- Concrete:** 5,000 psi minimum strength (28 day)
- Reinforcing:** Primary reinforcement will be a #3 rebar (Grade 60) rebar.
- Pipe Penetrations:** The inlet and outlet are fitted with open slots.
- Sealant:** Sealant used will meet or exceed ASTM C990.
- Top Vault Placement:** The top vault shall be placed in a 0.375" deep groove embedded in the base pad. This will keep the top vault stationary while allowing for a location keyway to keep the top vault centered in place every time.

2" Nashville Meter Vault - Offset Doghouse
White House Utility District

C.R. Barger & Sons, Inc.
P.O. Box 370 - Kingston TN 37763
Phone 888.882.5860 - BargerAndSons.com

Date: 7.222019

Drawn By: Eric Barger

Approx. Vault Weight: 1200 lbs.