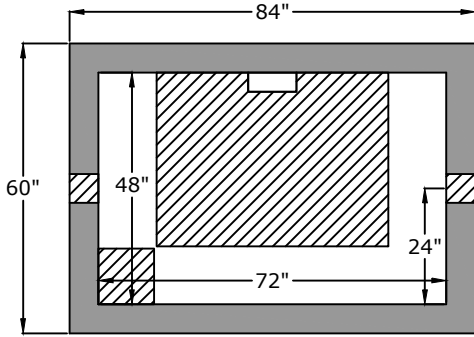
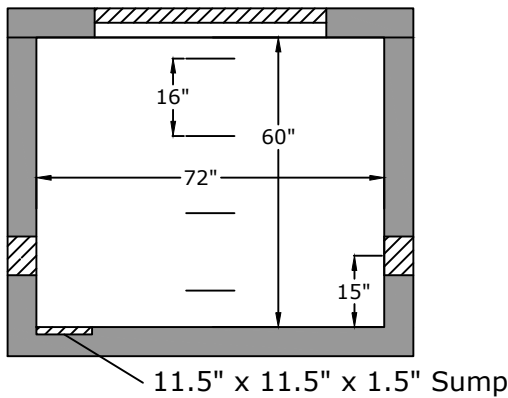


Top View



Side View

36" x 48" Aluminum Hatch



Approved for Production

Project: \_\_\_\_\_

Date: 5-17-17



Quantity: \_\_\_\_\_

By: DJ Miller

WHUD

**BARGER**  
**PRECAST**

**FORTILINE**  
WATERWORKS   
a MORSCO company

C.R. Barger & Sons, Inc.  
P.O. Box 370 - Kingston TN 37763  
Phone 888.882.5860 - BargerAndSons.com

Specifications

- Concrete:** 5,000 psi minimum strength (28 day)
- Reinforcing:** Primary reinforcement will be a #3 rebar (Grade 60) rebar. An H-20 traffic version is available.
- Pipe Penetrations:** The inlet and outlet are fitted with solid seals (4" D.I.P. - 10" D.I.P.) unless otherwise specified. All pipe penetrations are placed according to job requirements.
- Sealant:** Sealant used will meet or exceed ASTM C990.
- Steps:** If required, the steps will be aligned under hatch unless specified.

**6' W x 4' L x 5' T I.D. Vault**  
**The Standard at White House**

Date: 3.282017

Drawn By: Eric Barger

Approx. Vault Weight: 13,000 lbs.