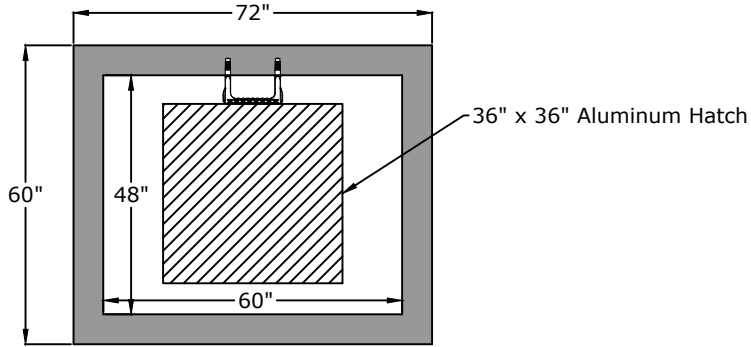


Top View

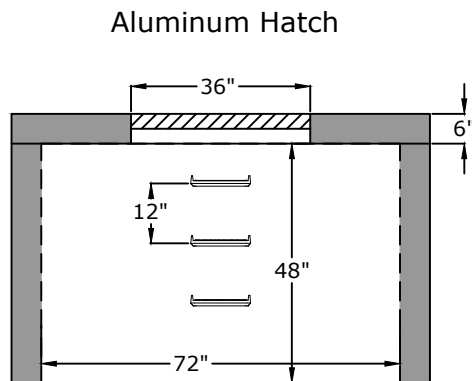


Notes

Lid weight - 1,700 lb
Body weight - 5,950 lb

Hatch - ej H36361006

Side View



Approved for Production

Project: _____

Date: _____

Quantity: _____

By: _____

BARGER PRECAST

C.R. Barger & Sons, Inc.
P.O. Box 370 - Kingston TN 37763
Phone 888.882.5860 - BargerAndSons.com

Specifications

Concrete: 5,000 psi minimum strength (28 day)

Reinforcing: Primary reinforcement will be 0.098 in²/ft.

Pipe Penetrations: All pipe penetrations are placed according to job requirements.

Sealant: Sealant used will meet or exceed ASTM C990.

Steps: If required, the steps will be aligned under hatch unless specified.

48" W x 60" L x 48" T
City of Sevierville Standard Vault #2

Date: 9.212023

Drawn By: Eric Barger

Updated: 9.212023