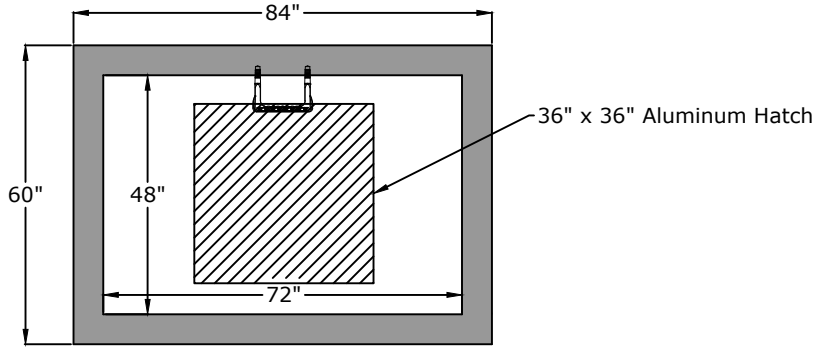


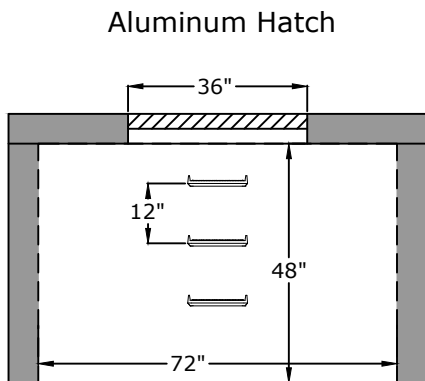
Top View



Notes

Lid weight - 2,100 lb  
 Body weight - 6,500 lb  
 Hatch - ej H36361006

Side View



Approved for Production

Project: \_\_\_\_\_

Date: \_\_\_\_\_

Quantity: \_\_\_\_\_

By: \_\_\_\_\_

**BARGER**  
**PRECAST**

C.R. Barger & Sons, Inc.  
 P.O. Box 370 - Kingston TN 37763  
 Phone 888.882.5860 - BargerAndSons.com

Specifications

**Concrete:** 5,000 psi minimum strength (28 day)  
**Reinforcing:** Primary reinforcement will be 0.098 in<sup>2</sup>/ft.  
**Pipe Penetrations:** All pipe penetrations are placed according to job requirements.  
**Sealant:** Sealant used will meet or exceed ASTM C990.  
**Steps:** If required, the steps will be aligned under hatch unless specified.

**48" W x 72" L x 48" T**  
**City of Sevierville Standard Vault #1**

Date: 1.30.2012

Drawn By: Eric Barger

Updated: 9.21.2023