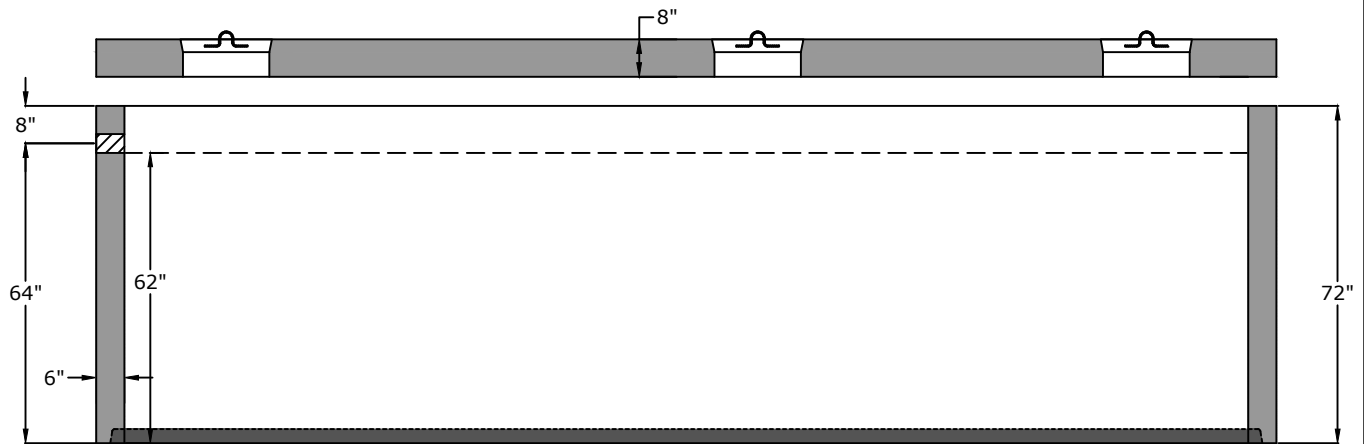
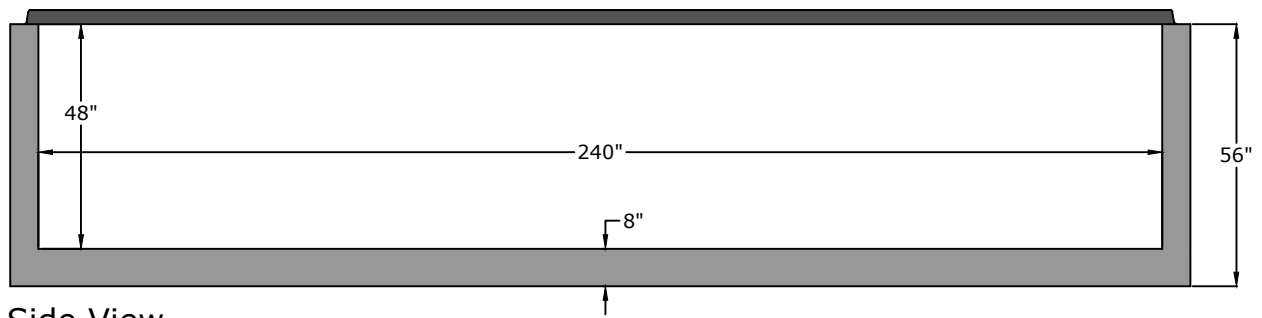


Top View

- 4" inlet/outlet (standard)
- 2/3 - 1/3 compartment capacity



Side View



Specifications

Concrete: 5,000 psi minimum strength (28 day)
Reinforcing: Primary reinforcement will be rebar.
Risers: Grade rings and manhole frames and covers sold separately.
Sealant: Sealant used in the seam of the tank will meet or exceed ASTM C990.
Pipe Penetrations: Inlet and outlets are fitted with seals that meet or exceed all ASTM C923 specifications.
Drawing: All measurements are accurate within ± 1 inch.

Tank Warranty: See Terms & Conditions.



Top - 19,000 lb
 Riser - 26,000 lb
 Bottom - 36,000 lb

Installation: The tank hole is not to be more than 18 in. longer and wider than the tank. There shall be a minimum of 6" of 3/4" stone bedding. Do not install across path of vehicles or heavy equipment. This tank is designed for one hundred fifty pounds per square foot (150 lb/ft2) uniform loading on the top of the tank with a max backfill cover of 36" and a minimum of 6".

**11,000 Gallon Pump Tank
 11,000-PT-TN**

C.R. Barger & Sons, Inc.
 P.O. Box 370 - Kingston TN 37763
 Phone 888.882.5860 - BargerAndSons.com

Date: 8.202019

Drawn By: Eric Barger